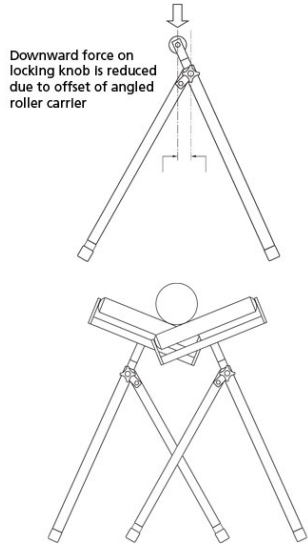


## RPR400



Downward force on locking knob is reduced due to offset of angled roller carrier

### Rotating Height Adjustable Head

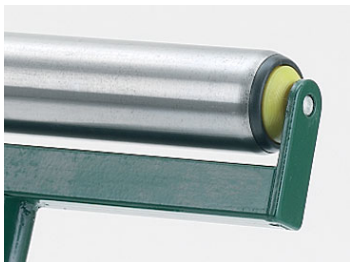
Unlike many roller stands, the head can rotate to any angle required and can be extended to a maximum height of 1050 mm.

### Effective Load Spread

Thanks to the splayed leg design, the downward force is transmitted outwards, providing greater stability and reducing load on the locking knob.

### Ideal for Irregular and Curved Items

Cylindrical and irregular items can be supported using the configuration shown.



### Sealed-for-Life Bearings

The sealed-for-life bearings ensure many years of trouble free use.