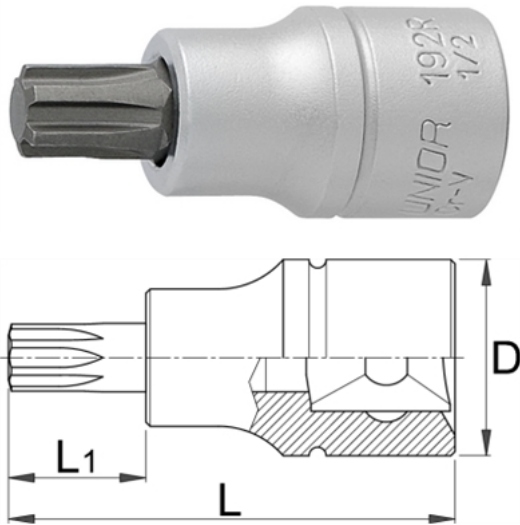


## Capete chei tubulare 1/2" cu profil exterior RIBE - 192/2R



### Descriere

- material: capete chei tubulare: crom-vanadiu, acoperire cromare
- bit: otel special de scule
- capul cheii este tratat in intregime

### Date Tehnice

Barcode	Gear Icon	D	L	L1	Weight	Hand	Material	Count
619891	M 5	22.9	43	17	82	-	-	0
619892	M 6	22.9	43	17	83	-	-	0
619893	M 7	22.9	43	17	83	-	-	0
619814	M 8	22.9	43	17	83	-	-	0
619815	M 9	22.9	43	17	84	-	-	0
619816	M 10	22.9	43	17	86	-	-	0
619817	M 12	22.9	43	17	92	-	-	0
619818	M 13	22.9	43	17	99	-	-	0
619819	M 14	22.9	43	17	99	-	-	0

### Date de ambalare

Barcode	Gear Icon	Mod de reambalare.			Ambalare pentru transport.					
		A	B	C	Weight	Hand	A1	B1	C1	Weight
619891	M 5	125	44	43	87	4	94	150	59	473
619892	M 6	125	44	43	88	4	94	150	59	477
619893	M 7	125	44	43	88	4	94	150	59	477
619814	M 8	125	44	44	88	4	94	150	59	477
619815	M 9	125	44	44	89	4	94	150	59	481
619816	M 10	125	44	44	91	4	94	150	59	489
619817	M 12	125	44	44	97	4	94	150	59	513
619818	M 13	125	44	44	104	4	94	150	59	541
619819	M 14	125	44	43	104	4	94	150	59	541