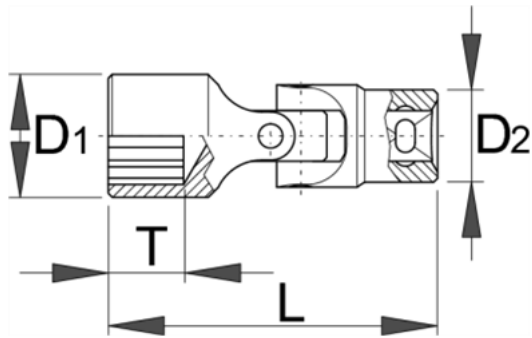


Capete chei tubulare cu cardan varianta lunga 1/4" - 188/2F6p



Descriere

- material:crom vanadiu
- forjata, calire si revenire totala
- acoperire cromare conform EN12540

Date Tehnice

Barcode	Hex	L	D1	D2	T↓	Icon 1	Icon 2	Icon 3
620790	6	35.4	9.2	13.8	5	26	-	0
620791	7	37.4	10.5	13.8	5	29	-	0
620792	8	37.4	12.2	13.8	5	29	-	0
620793	9	37.4	12.2	13.8	5	29	-	0
620794	10	39.9	14.7	13.8	6	29	-	0
620795	11	39.9	15.9	13.8	6	29	-	0
620796	12	39.9	16.9	13.8	6	29	-	0
620797	13	39.9	17.9	13.8	7	29	-	0

Date de ambalare

Barcode	Hex	Mod de reambalare.				Ambalare pentru transport.				
		A	B	C	Icon 1	Icon 2	A1	B1	C1	Icon 3
620790	6	100	44	23	31	4	95	128	34	249
620791	7	105	44	23	34	4	95	128	34	261
620792	8	105	44	23	34	4	95	128	34	261
620793	9	105	44	23	34	4	95	128	34	261
620794	10	105	44	23	34	4	95	128	34	261
620795	11	105	44	23,95	34	4	95	128	34	261
620796	12	105	44	24,45	34	4	95	128	34	261
620797	13	105	44	24,95	34	4	95	128	34	261