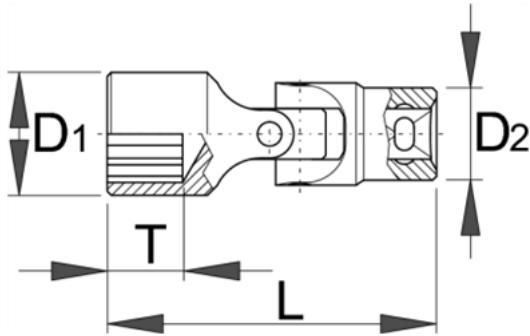


## Capete chei tubulare cu cardan 1/4" - 188/2F12p



### Descriere

- material:crom vanadiu
- forjata, calire si revenire totala
- acoperire cromare conform EN12540

### Date Tehnice

Barcode	Hex	L	D1	D2	T ↓	Weight	Material	Coating	Other
620798	3/16"	35.4	7.7	13.8	4	26	-	-	0
620799	7/32"	35.4	8.6	13.8	4	26	-	-	0
620800	1/4"	35.4	9.5	13.8	4	26	-	-	0
620801	9/32"	37.4	10.7	13.8	5	29	-	-	0
620802	5/16"	37.4	12.2	13.8	5	29	-	-	0
620803	11/32"	37.4	13.1	13.8	5	29	-	-	0
620804	3/8"	39.9	14.7	13.8	5	29	-	-	0
620805	7/16"	39.9	15.9	13.8	6	29	-	-	0
620806	1/2"	39.9	17.9	13.8	7	29	-	-	0

### Date de ambalare

Barcode	Hex	Mod de reambalare.						Ambalare pentru transport.			
		A	B	C	Weight	Volume	A1	B1	C1	Weight	
620798	3/16"	100	44	23	31	4	95	128	34	249	
620799	7/32"	100	44	23	31	4	95	128	34	249	
620800	1/4"	100	44	23	31	4	95	128	34	249	
620801	9/32"	105	44	23	34	4	95	128	34	261	
620802	5/16"	105	44	23	34	4	95	128	34	261	
620803	11/32"	105	44	23	34	4	95	128	34	261	
620804	3/8"	105	44	23	34	4	95	128	34	261	
620805	7/16"	105	44	23	34	4	95	128	34	261	
620806	1/2"	105	44	23	34	4	95	128	34	261	