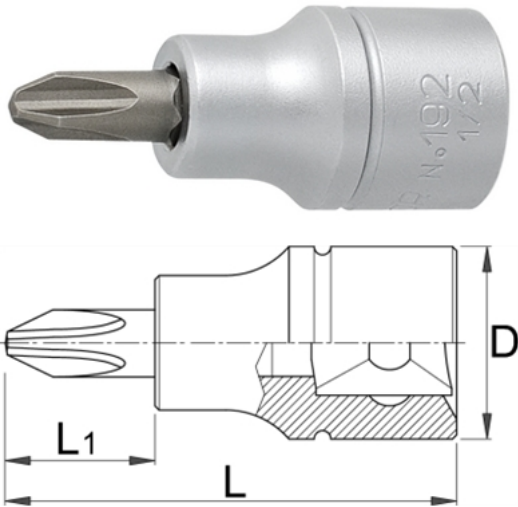


## Capete chei tubulare cu profil PH exterior 1/2" - 192/2PH



### Descriere

- material: capete chei tubulare: crom-vanadiu, acoperire cromare
- bit: otel special de scule
- capul cheii este tratat in intregime

### Date Tehnice

| Barcode | +    | D    | L  | L1 | Icon 1 | Icon 2 | Icon 3 |
|---------|------|------|----|----|--------|--------|--------|
| 605556  | PH 2 | 22.9 | 54 | 18 | 72     | B      | 10 0   |
| 605557  | PH 3 | 22.9 | 54 | 18 | 75     | B      | 10 0   |
| 605558  | PH 4 | 22.9 | 57 | 21 | 86     | B      | 10 0   |

### Date de ambalare

| Barcode | +    | Mod de reambalare. |    |    | Ambalare pentru transport. |        |    |     |    |        |
|---------|------|--------------------|----|----|----------------------------|--------|----|-----|----|--------|
|         |      | A                  | B  | C  | Icon 1                     | Icon 2 | A1 | B1  | C1 | Icon 3 |
| 605556  | PH 2 | 125                | 44 | 43 | 77                         | 4      | 94 | 150 | 59 | 433    |
| 605557  | PH 3 | 125                | 44 | 43 | 80                         | 4      | 94 | 150 | 59 | 445    |
| 605558  | PH 4 | 130                | 44 | 43 | 91                         | 4      | 94 | 150 | 59 | 489    |