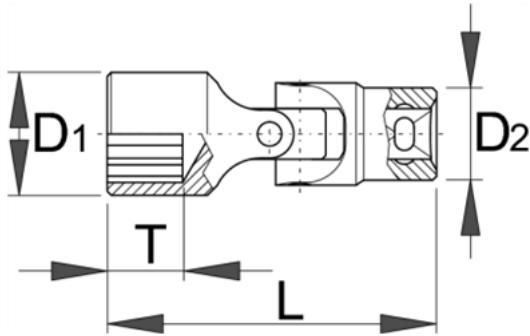


Capete chei tubulare cu cardan 3/8" - 238/1F12p



Descriere

- material:crom vanadiu
- forjata, calire si revenire totala
- acoperire cromare conform EN12540
- polizate

Date Tehnice

Barcode	Hex	L	D1	D2	T ↓	Icon 1	Icon 2	Icon 3	Icon 4
619793	10	51	14.2	18.8	6	57	-	-	0
619794	11	52	15.5	18.8	7	57	-	-	0
619795	12	52	16.7	18.8	8	61	-	-	0
619796	13	53	18	18.8	8	65	-	-	0
619797	14	53	19	18.8	10	65	-	-	0
619798	15	54	20.5	18.8	10	70	-	-	0
619799	16	54	21.7	18.8	10	70	-	-	0
619800	17	56	23	18.8	10	68	-	-	0
619801	18	56	24.2	18.8	12	75	-	-	0
619802	19	57	25.5	18.8	12	75	-	-	0

Date de ambalare

Barcode	Hex	Mod de reambalare.					Ambalare pentru transport.			
		A	B	C	Icon 1	Icon 2	A1	B1	C1	Icon 3
619793	10	110	44	34	62	4	83	131	55	373
619794	11	110	44	34	62	4	83	131	55	373
619795	12	110	44	34	66	4	83	131	55	389
619796	13	110	44	34	70	4	83	131	55	405
619797	14	110	44	34	70	4	83	131	55	405
619798	15	110	44	34	75	4	83	131	55	425
619799	16	110	44	34	75	4	93	144	57	425
619800	17	115	44	34	73	4	93	144	57	417
619801	18	115	44	34	80	4	94	150	59	445
619802	19	115	44	34	80	4	94	150	59	445